

# COMPONENTS



## Cyclone separator - Type ZAS

### Application

Cyclone separators, type ZAS, are used for the separation of pellets and powders from the conveying gas downstream pneumatic conveying systems.

The cyclone separators ZAS are designed to achieve a maximum separation efficiency.

### Function

The function of the cyclone is based on the separation of the solids from the gas by centrifugal force.

The clean gas is vented via the dip pipe at the upper part of the cyclone into the atmosphere or into a downstream aspiration systems. Separated solids are discharged at the bottom.

### Design features

- welded construction made of aluminium or stainless steel
- design with vortex chamber including deflection cone in the discharge area
- support on brackets or on skirt (special)
- venting of the clean gas to atmosphere or via a flange connection into a closed aspiration system
- individual design to match different flange connections

- maintenance-free due to missing wear parts and drive
- standard cyclones designed for overpressures up to 100 mbar (g)
- individually designed to meet customers' special requirement

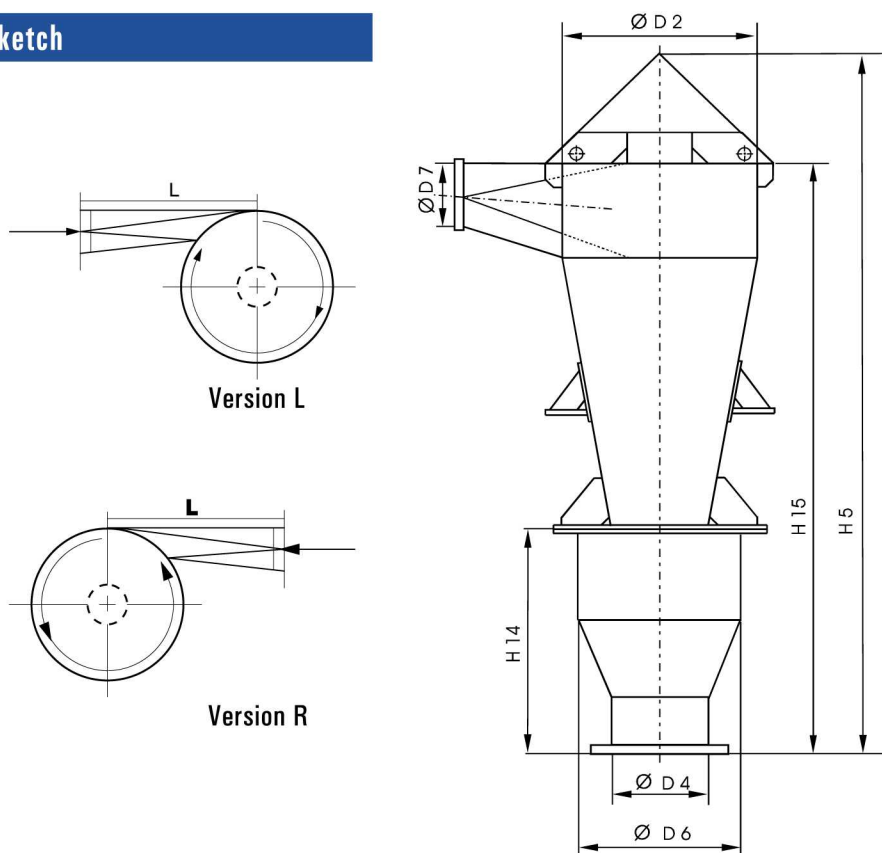
### Versions

- suitable for pneumatic conveying systems with gas flow rates of approx. 50 m<sup>3</sup>/h up to 10.000 m<sup>3</sup>/h
- suitable for solids to air ratios up to approx. 6
- drill pattern of flanges acc. to DIN 2501 PN 10, ANSI 150# or client's standard.

## Type designation

<b>ZAS</b>	<b>500</b>	<b>D</b>	<b>R</b>	<b>AI</b>	
				<b>AI</b>	Material of construction: aluminium
				<b>SS</b>	Material of construction: stainless steel
			<b>L</b>		Intake in clockwise direction
			<b>R</b>		Intake anticlockwise
		<b>D</b>			With rain roof
			<b>FV</b>		Vertical discharge flange
			<b>FH</b>		Horizontal discharge flange
			<b>X</b>		Special design
	<b>500</b>				Nominal diameter
<b>ZAS</b>					Type of the cyclone separator

## Sketch



Type	D2	D6	H5	H14	H15	V/m <sup>3</sup>	Al/kg	SS/kg
ZAS- 175	186	151	650	142	527	0.01	10	26
ZAS- 233	250	211	850	198	695	0.02	14	38
ZAS- 350	346	250	1250	333	1047	0.06	23	63
ZAS- 525	530	396	1900	548	1605	0.2	46	125
ZAS- 700	738	530	2600	714	2191	0.5	91	241
ZAS-1050	1050	750	3650	989	3075	1.4	190	442
ZAS-1250	1250	865	4200	1103	3525	2.3	250	520
ZAS-1500	1500	1071	5000	1428	4200	3.8	350	640

Design changes reserved

# ZEPPELIN®