

COMPONENTS



RotoScreen - Drum screener

Application

Drum screeners are used for the continuous separation of streamers respectively bird nests from plastic pellets. With the use of drum screeners downstream handling systems, problems caused by streamers and bird nests can be avoided.

Function

The rotating drum screener is gravimetrically fed with the plastic pellets containing streamers respectively bird nests. Due to the mesh size of the screener, the plastic pellets pass through the screener whereas the streamer and bird nests are retained. The streamers are transported to the streamer discharge by rotation of the drum and a directional gas flow.

This gas flow is locally directed on the surface of the screener and cleans the screener apertures of adherent streamers during the operation.

Design features

- reliable separation of streamers and bird nests from plastic pellets
- suitable for continuous operation due to automatic cleaning of the screener
- screen may be buffed or electro-polished
- use in different operation modes (pressure, suction and circulation mode)
- easy disassembly of the drum screener

- quick-release openings for inspection and cleaning
- individual design for product requirements and throughput

Versions

- throughput up to 120 t/h
- design according to customer's requirements
- drill pattern of flanges acc. to DIN 2501 PN 10, ANSI 150# or client's standard

Type designation

RS 1400 Al/SS

Housing

Al Aluminium

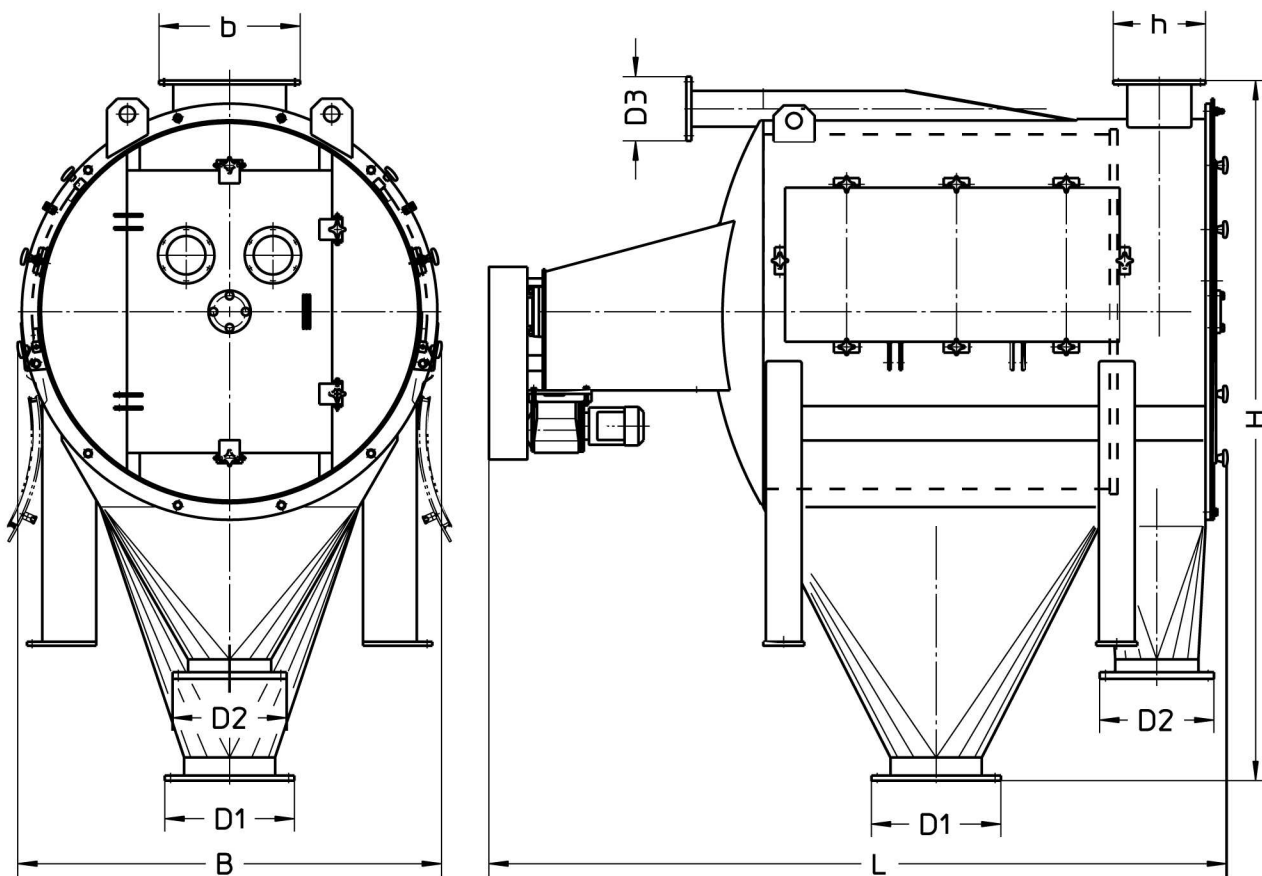
Drum

SS Stainless steel

Drum diameter mm

RS Drum screener RotoScreen

Sketch



Type	Drum DN	B mm	H mm	L mm	b mm	h mm	D1 DN	D2 DN	D3 DN	Weight/kg Al/SS
RS-1000	1000	1200	2050	2100	350	200	300	250	100	1050
RS-1400	1400	1655	2725	2880	430	240	350	300	125	1950
RS-2000	2000	2400	3450	3600	550	300	500	350	150	4100
RS-2800	2800	3300	4800	5500	650	350	600	400	200	7900

Design changes reserved

ZEPPELIN®