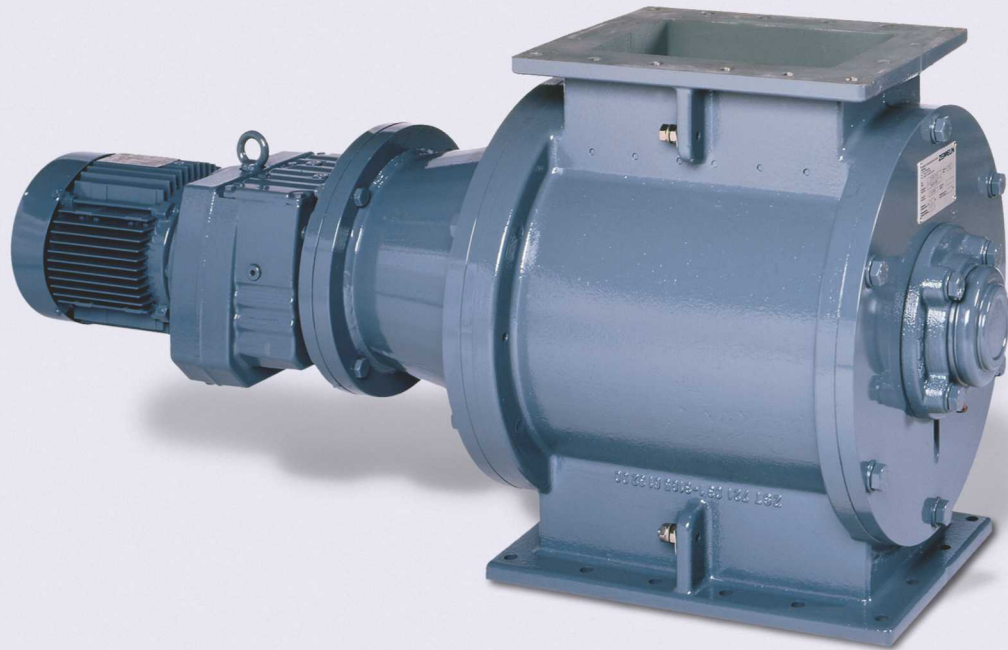


# COMPONENTS



## Rotary feeder with cutting device - Type MS

### Application

Rotary feeders with cutting device are mainly used for the discharge of dust, streamers and bird nests from elutriator and rotating screener systems.

### Function

Rotary feeders with cutting device discharges product from vessels with small differential pressures into non-pressurized containers. The knives cut the streamers and bird nests in the product to ensure reliable discharge.

### Design features

- reliable discharge of dust, steamers, bird nests and plastic pellets
- bearings with life time lubrication
- suitable for many applications
- exchangeable knives in the inlet and outlet nozzle of the housing as well as on the rotor tips
- maintenance-free direct drive with gear motor via shaft coupling

- operating temperature -10°C up to +40°C
- discharge into non-pressurized container below the feeder
- for a differential pressure above the feeder between - 50 mbar (g) and 100 mbar (g)

### Versions

- throughput up to 15 m<sup>3</sup>/h
- design according to customers' requirements
- rectangular inlet/outlet flange

## Type designation

MS

330

GG/S

### Housing

GG Cast iron

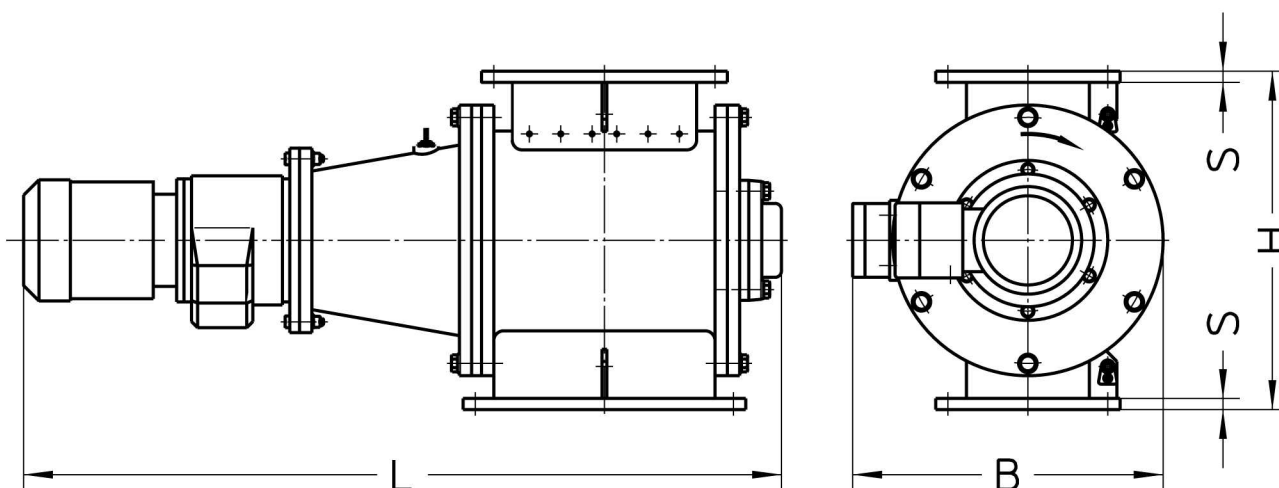
330 Rotor diameter in mm

MS Rotary feeder with cutting device

### Rotor

S Carbon steel

## Sketch



Type	Rotor volume dm <sup>3</sup>	L mm	B mm	H mm	S mm	Upper flange mm	Lower flange mm	Weight with motor kg
MS-330	21	1215	535	550	18	284 x 184	344 x 184	295

Motor speed: 27 min<sup>-1</sup>

Motor rating: 1.5 kW

Design changes reserved

# ZEPPELIN®